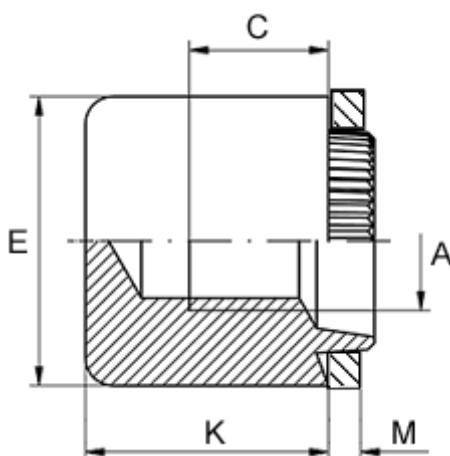


Article number: 12751000100110

Description: KLEE-coil 751 000 100.110
M10 Steel, zinc-pl. & chr. blue

Measures



Female thread A	= M10
Height K	= 14.0
Min thread length C	= 6.0
Outer diameter E	= 19.0
Plate thickness	= 2.9 to 3.1
Recommended bore diameter for extreme load	= 15.0
Recommended bore diameter for normal use	= 16.0